

SIDE ENTRY MK2 SHOWER CUBICLE

Cubicle kit contents:

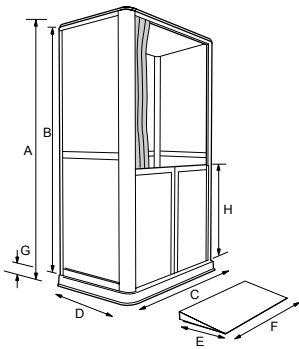
- White Shower Tray
- Enclosure pack
- Door set - half height (not handed) or tri-fold (left or right hand) doors
- Curtain Track and Hooks (to suit door option)
- White Shower Curtain
- Detachable ramp
- Grab rails
- Shower unit options shown on p143-144 (not included in package price)
- Fitting instructions

HOW TO ORDER



	Option 1	Option 2	Option 3
Cubicle description	Half height door	Trifold (Left hand)	Trifold (Right hand)
Side Entry MK2 Cubicle with pumped waste	Pt no: SHCUSEMK2PW :	Pt no: SHCUSEMK2PW	Pt no: SHCUSEMK2PW
Side Entry MK2 Cubicle with gravity waste	Pt no: SHCUSEMK2G :	Pt no: SHCUSEMK2G	Pt no: SHCUSEMK2G

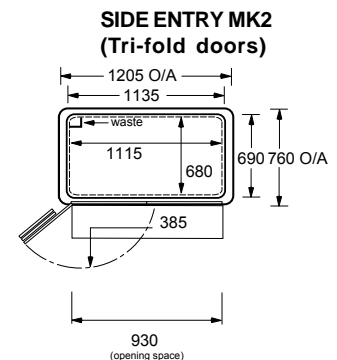
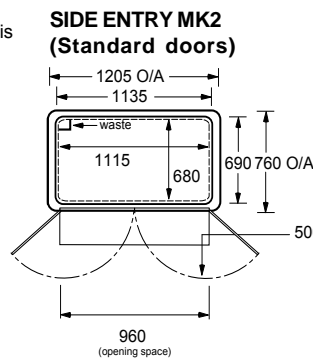
Technical information



Ref	Dimensions
A	2040
B	1950
C	1205
D	760
E	250
F	1025
G	60
H	810

Ramp size:

The Side Entry MK2 is available with a removable ramp - standard 250mm (in position) or longer graduated 500mm version (in position).



Shower chair compatibility

See page 113 for shower chair compatibility options

Note: Dimensions are for doors fully open.

Internal dimensions: The width is measured from acrylic panel to acrylic panel. The depth is taken from the back acrylic panel to the inner face of the door.

Chiltern Invadex shower cubicles are available with a large range of options and accessories, allowing the cubicle to be configured to suit specific client requirements. A quick order form is available to help select the appropriate options. Please contact Customer Service for details or to arrange a visit by a Technical Sales Representative.

SYMBOLS:

Bulk/oversized item



Made to order (see P200)



Tel: 0800 917 0399

www.chilterninvadex.co.uk

Fax: +44 (0) 1869 365588

sales@chilterninvadex.co.uk

SLIMLINE SIDE ENTRY SHOWER CUBICLE

Cubicle kit contents:

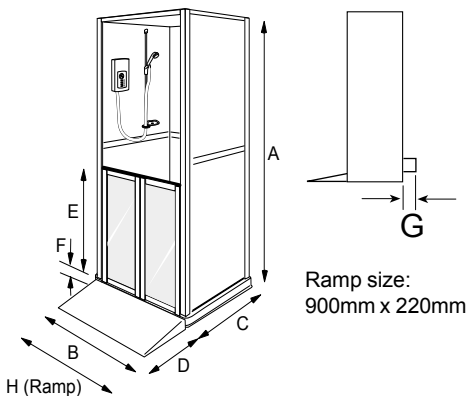
- White Shower Tray
- Full height enclosure pack
- Door set - half height (not handed) or tri-fold (left or right hand) doors
- Curtain Track and Hooks (to suit door option)
- White Shower Curtain
- Detachable ramp
- Grab rails
- Shower unit options shown on p143-144 (not included in package price)
- Fitting instructions

HOW TO ORDER

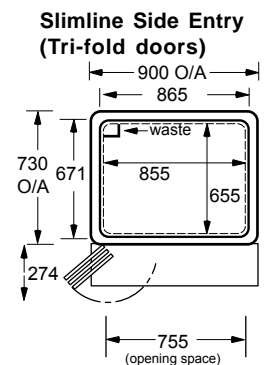
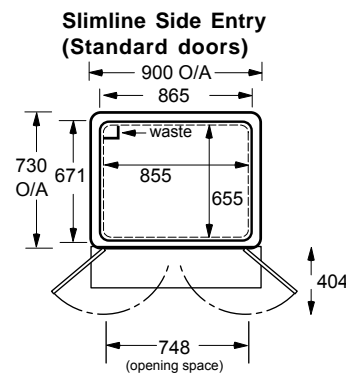


	Option 1	Option 2	Option 3
Cubicle description	Half height door	Trifold (Left hand)	Trifold (Right hand)
Slimline Side Entry with pumped waste	Part no: SHCUSLSEPW :	Part no: SHCUSLSEPW	Part no: SHCUSLSEPW
Slimline Side Entry with gravity waste	Part no: SHCUSLSEG :	Part no: SHCUSLSEG	Part no: SHCUSLSEG

Technical information



Ref	Dimensions
A	1830
B	900
C	730
D	220
E	810
F	55
G	50
H	900



Shower chair compatibility

See page 113 for shower chair compatibility options

Note: Dimensions are for doors fully open.

Internal dimensions: The width is measured from acrylic panel to acrylic panel. The depth is taken from the back acrylic panel to the inner face of the door.

Chiltern Invadex shower cubicles are available with a large range of options and accessories, allowing the cubicle to be configured to suit specific client requirements. A quick order form is available to help select the appropriate options. Please contact Customer Service for details or to arrange a visit by a Technical Sales Representative.

SYMBOLS:

Bulk/oversized item



Made to order (see P200)



Tel: 0800 917 0399

www.chilterninvadex.co.uk

Fax: +44 (0) 1869 365588

sales@chilterninvadex.co.uk